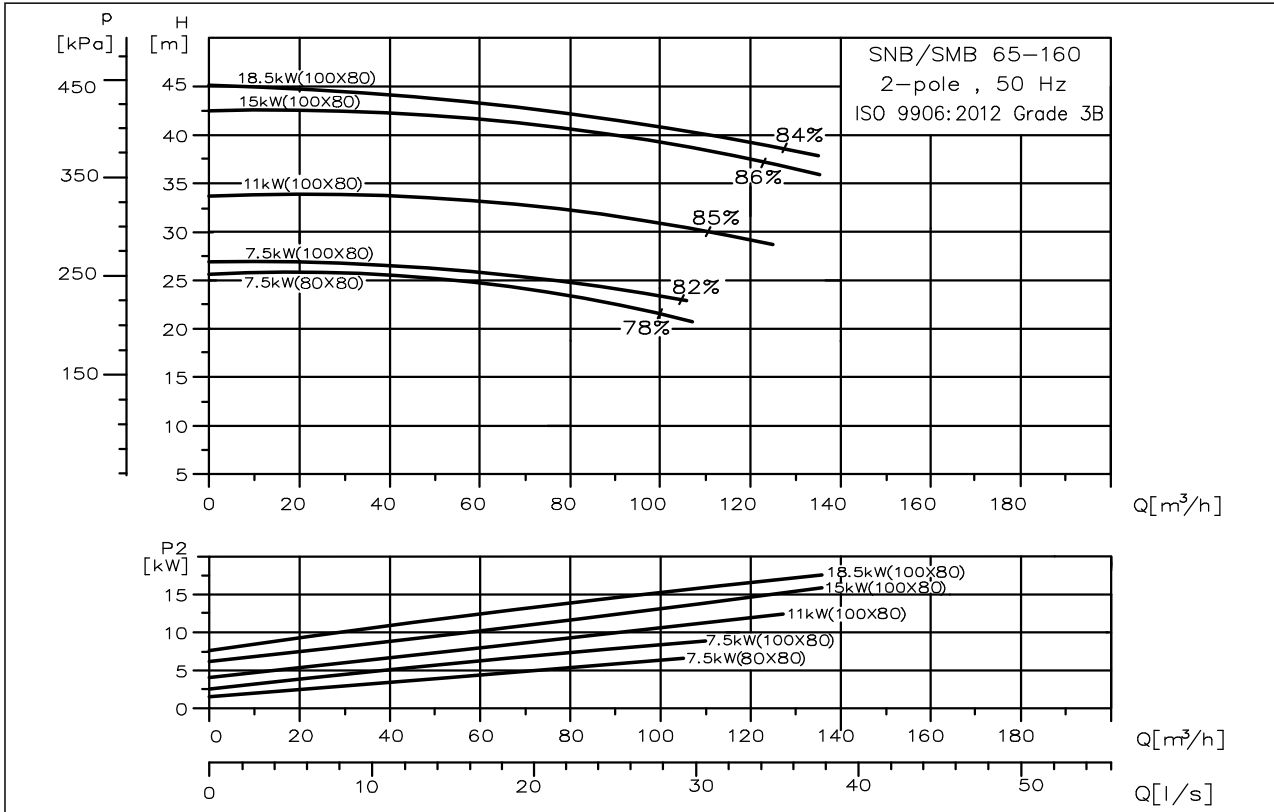


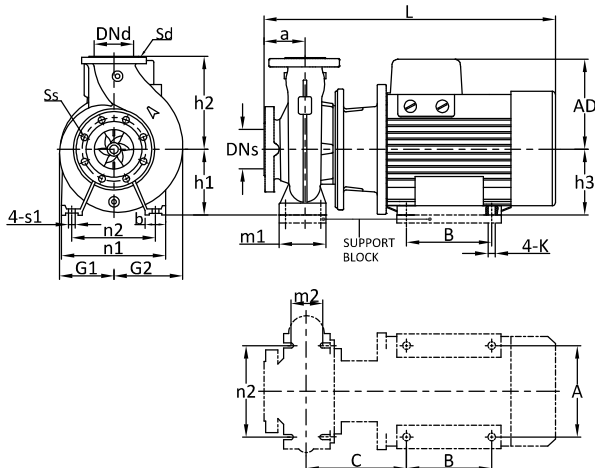
PERFORMANCE CURVE

SNB/SMB SS 65-160 (2 POLE)

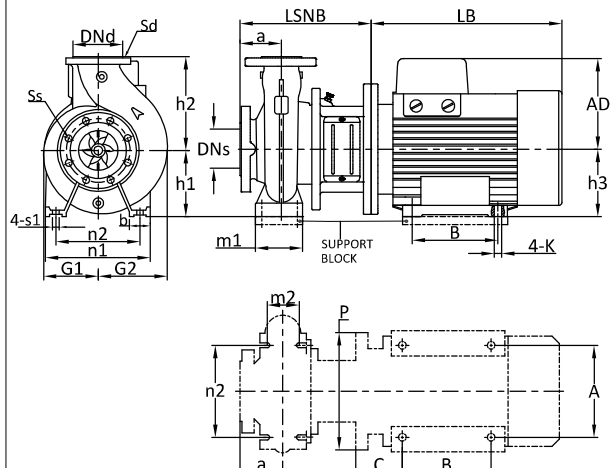


[kW / HP]	Suc. x Del.	Material Code
7.5 / 10.0	: 80 x 80 mm	9000023264 (SMB)
7.5 / 10.0	: 100 x 80 mm	9000019129 (SMB)
11.0 / 15.0	: 100 x 80 mm	9000023265 (SMB)
15.0 / 20.0	: 100 x 80 mm	9000023262 (SNB), 9000018826 (SMB)
18.5 / 25.0	: 100 x 80 mm	9000023263 (SNB), 9000019137 (SMB)

SMB SS



SNB SS



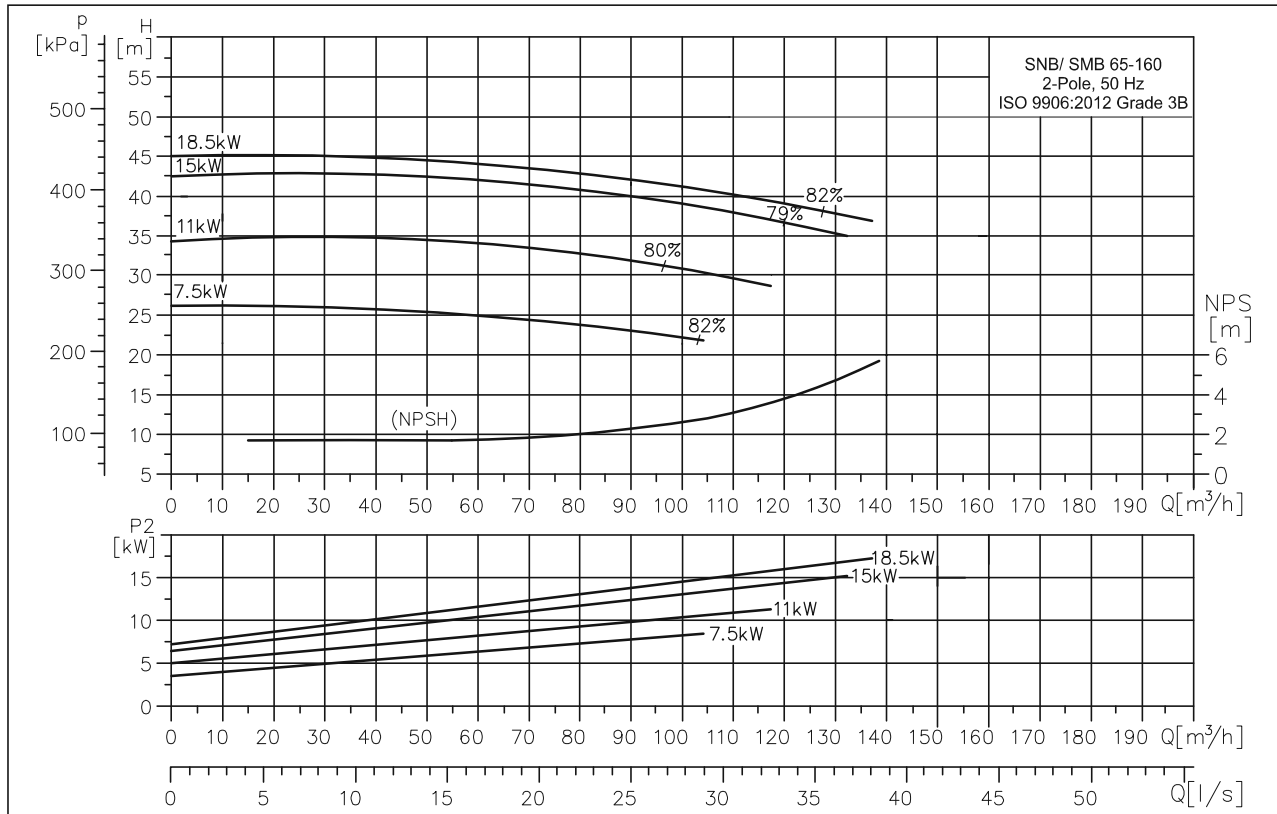
PERFORMANCE TABLE

SNB/SMB SS 65-160 (2 POLE)

Pump type			65-160			
Motor type	HIGH EFF. MOTOR		SMG 132	SMG 160	SMG 160	SMG 160
COMMON DATA SNB/SMB SS	P ₂	[kW/HP]	7.5/10	11/15	15/20	18.5/25
	PN	[bar]	16	16	16	16
	DNs	[mm]	95	95	95	95
	DNd	[mm]	65	65	65	65
	a	[mm]	100	100	100	100
	h ₂	[mm]	200	200	200	200
	h ₁	[mm]	160	160	160	160
	Ss		8x19	8x19	8x19	8x19
	Sd		4x19	4x19	4x19	4x19
	G1	[mm]	127	127	127	127
	G2	[mm]	165	165	165	165
	m1	[mm]	125	125	125	125
	m2	[mm]	95	95	95	95
	n1	[mm]	280	280	280	280
	n2	[mm]	212	212	212	212
b	[mm]	65	65	65	65	
s1	[mm]	M12	M12	M12	M12	
SNB SS DATA	AD	[mm]	-	-	233	233
	h ₃	[mm]	-	-	160	160
	A	[mm]	-	-	254	254
	B	[mm]	-	-	254	254
	K	[mm]	-	-	M12	M12
	L SNB	[mm]	-	-	341	341
	LB	[mm]	-	-	565	565
	C	[mm]	-	-	108	108
	P	[mm]	-	-	350	350
	NET WT. (APX.)	[kg]	-	-	178	220
SMB SS DATA	AD	[mm]	138	199	233	233
	h ₃	[mm]	160	170	160	160
	A	[mm]	195	232	254	254
	B	[mm]	120	310	254	254
	K	[mm]	M12	M16	M12	M12
	L	[mm]	588	690	742	742
	C	[mm]	215	138	188	188
	NET WT. (APX.)	[kg]	74	135	165	180

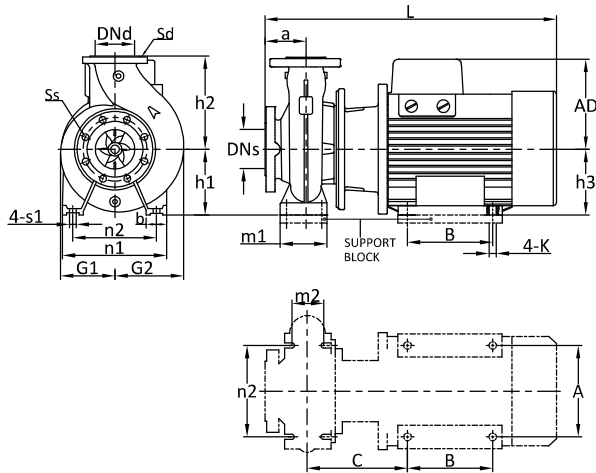
PERFORMANCE CURVE

SNB/SMB CI 65-160 (2 POLE)



[kW / HP]	Suc. x Del.	Material Code
7.5 / 10.0	100 x 80 mm	9000020971 (SNB), 9000019383 (SMB)
11.0 / 15.0	100 x 80 mm	9000021004 (SNB), 9000019389 (SMB)
15.0 / 20.0	100 x 80 mm	9000021005 (SNB), 9000019394 (SMB)
18.5 / 25.0	100 x 80 mm	9000019983 (SNB), 9000029502 (SMB)

SMB CI



SNB CI

